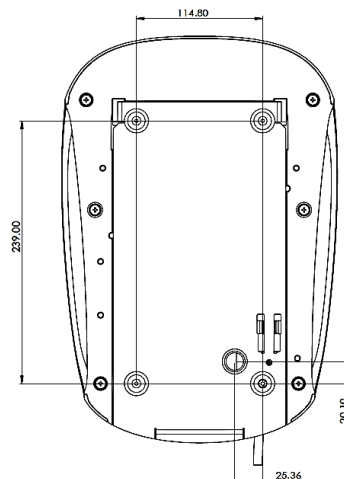
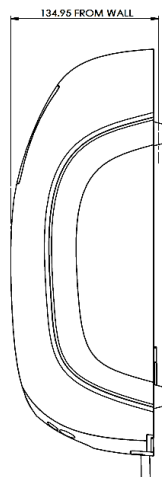
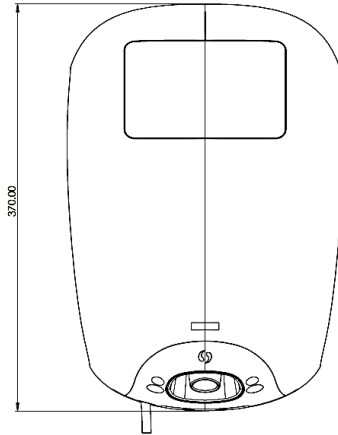




## EcoCurve™ Hand Dryer Maintenance and Troubleshooting Guide



UNIT WALL FIXING POINTS &  
REAR CABLE ENTRY

### Material

- Case: PC/ABS with antibacterial additive
- Back plate: Stainless Steel

### Care and Maintenance

- Clean with soap and warm water, dry with a clean soft cloth. **Abrasive cleaners, chloride and citrus based cleaning agents should not be used.**
- Ensure the four sensors at the base are not blocked
- If the airflow is not running properly the air intake or outlet may be blocked. Inspect for and remove any blockage.



### If the Dryer has to be removed from the wall

- Remove the two anti-tamper screws at the base of the dryer
  - Using both hands, lift the dryer up vertically until it is clear of the mounting hooks and the electrical socket. N.B. The dryer weighs 6.3 kgs.
  - To return the dryer to the mounting bracket, align the main unit over the mounting hooks.
  - Lower the unit slowly down to engage with the hooks and with the electrical connector until the lower face is flush with the bottom edge of the bracket.
  - Fix the unit to the bracket with the two anti-tamper screws.
  - The Smart Sensors require 15 seconds to calibrate after connecting to the power supply.
- N.B Do NOT activate the dryer for 15 seconds after connecting to the power supply to allow the dryer to auto-calibrate.**

If activation occurs before full calibration, remove the dryer from the back-plate and wait for 10 seconds before re-setting the dryer back onto the back plate. Test the dryer after calibration. The activation sensor range should be approximately 150mm for correct installation. If the sensor range is less than 100 mm remove the dryer, wait for 10 seconds and replace as above.

### Troubleshooting

- **Dryer not switching on**
  - Check that none of the four sensors at the base of the dryer are obstructed. If any are obstructed remove the obstruction.
  - Check the power supply is connected (qualified electrician only). If there is no power supply, restore the power supply. If the problem recurs contact SAVORTEX technical support on +44(0)203 693 2570 or go to <http://www.savortex.com/support-contact/contact-support/>
  - If there are no obstructions and power is available to the dryer and the dryer is still not working contact SAVORTEX technical support on +44(0)203 693 2570 or go to <http://www.savortex.com/support-contact/contact-support/>
- **Dryer operating intermittently or only activated at short range (less than 100mm)**
  - See dryer removal instructions above to reset the dryer calibration
  - If the dryer is still not working contact SAVORTEX technical support on +44(0)203 693 2570 or go to <http://www.savortex.com/support-contact/contact-support/>
- **Insufficient airflow**
  - Check that the air inlet and outlet at the base (green nozzle and area surrounding the green nozzle) are not obstructed. If there are any obstructions remove the obstructions.
  - If the airflow is still insufficient contact SAVORTEX technical support on +44(0)203 693 2570 or go to <http://www.savortex.com/support-contact/contact-support/>
- **Dryer not switching off when hands are removed**
  - See dryer removal instructions above to reset the dryer
  - If the dryer is still not working contact SAVORTEX technical support on +44(0)203 693 2570 or go to <http://www.savortex.com/support-contact/contact-support/>