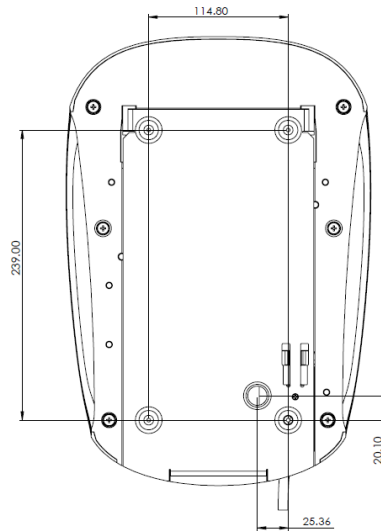
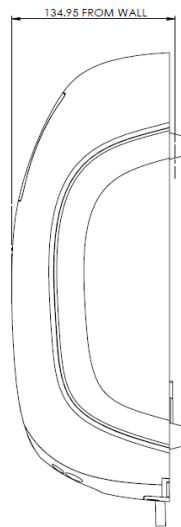
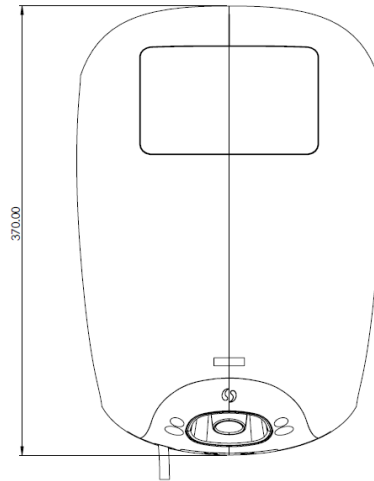




SAVORTEX Hand Dryers Installation Guide



UNIT WALL FIXING POINTS &
REAR CABLE ENTRY

Applicable Models

- EcoCurve 550A
- EcoCurve 550D
- adDryer



Specification

Surface mounted Low Energy – High Speed hand dryer of PC/ABS anti-bacterial case, stainless steel back plate. 550W, 230V. Manufactured and Designed by SAVORTEX Ltd in the UK

Material

- Case: PC/ABS with antibacterial additive
- Back plate: Stainless Steel

Operation

To activate dryer place hands under the dryer. Dryer has a built-in cut out timer of 30 seconds.

Installation

Do NOT activate the dryer for 15 seconds after connecting to the power supply to allow the dryer to auto-calibrate.

- Isolate the mains before commencing installation.
- An isolation fused spur is required external to the dryer.
- Remove the 2 x Torx security screws from the base.
- Slide off the steel mounting back plate.
- Securely fix the mounting back plate to the wall at the desired location with the rubber hooks at the top. Hand dryer should be mounted vertically on solid substrate walls.
- Correctly wire the power cable to the electrical connector via the rear entry through the access grommet, in accordance with the current edition of the IEE wiring regulations (BS7671: Requirements for Electrical Installations).
- Replace all electrical connector covers and insulation. Our dryers use first fix principles to minimize installation times.
- When required, align the main unit over the mounting bracket.
- Align with the corresponding openings in the rear. The main unit should be held parallel to the wall.
- Lower the unit slowly down to engage with the hooks and with the electrical connector until the lower face is flush with the bottom edge of the bracket.
- Fix the unit to the bracket with the two Torx anti-tamper screws.
- Reconnect the power.
- **Do NOT activate the dryer for 15 seconds after connecting to the power supply to allow the dryer to auto-calibrate.** If activation occurs before full calibration, remove the dryer from the back-plate and wait for 10 seconds before re-setting the dryer back onto the back plate. Test the dryer after calibration. The activation sensor range should be approximately 150mm for correct installation. If the sensor range is less than 125 mm remove the dryer, wait for 10 seconds and replace as above.
- The unit will self-isolate upon removal of the main unit from the mounting bracket.

Recommended mounting height from underside of unit:

- Male washroom: FFL to underside of dryer – 1080mm
- Female Washroom: FFL to underside of dryer – 980mm
- Universal Access Washroom: FFL to underside of dryer – 850mm
- Children: FFL to underside of dryer – 850mm



Mains Voltage: 230 – 240 V AC, single phase 50Hz

Power Standby: Below 1W

Motor: Digital Brushless Motor DC, Anti-particulate, Ozone emissive, Energy efficient 20,000 rpm

EMC: Complies with Electromagnetic Compatibility

IP 24 compliant

Spares

Contact SAVORTEX Ltd for spares requirements: customer.services@savortex.com

Care and Maintenance

Clean with soap and warm water, dry with a clean soft cloth. **Abrasive cleaners, chloride and citrus based cleaning agents should not be used.**

Warranty

This product is covered by a 7 year warranty of 12 months parts and labour and an additional 6 years parts warranty from the date of purchase to be free from defects if installed and maintained in accordance with these instructions.

SAVORTEX Ltd will replace or repair (as appropriate) free of charge any product with a proven manufacturing defect if reported within the warranty period. Please see SAVORTEX Ltd Standard Terms of Sale for details. Copies available on request from info@savortex.com.